

LDS-8K5 PLANETARY DRIVE - single speed

Pengo Part No. 660583 (8K5, Closed Bail 45mm)

Pengo Part No. 660514 (8K5, No Bail)

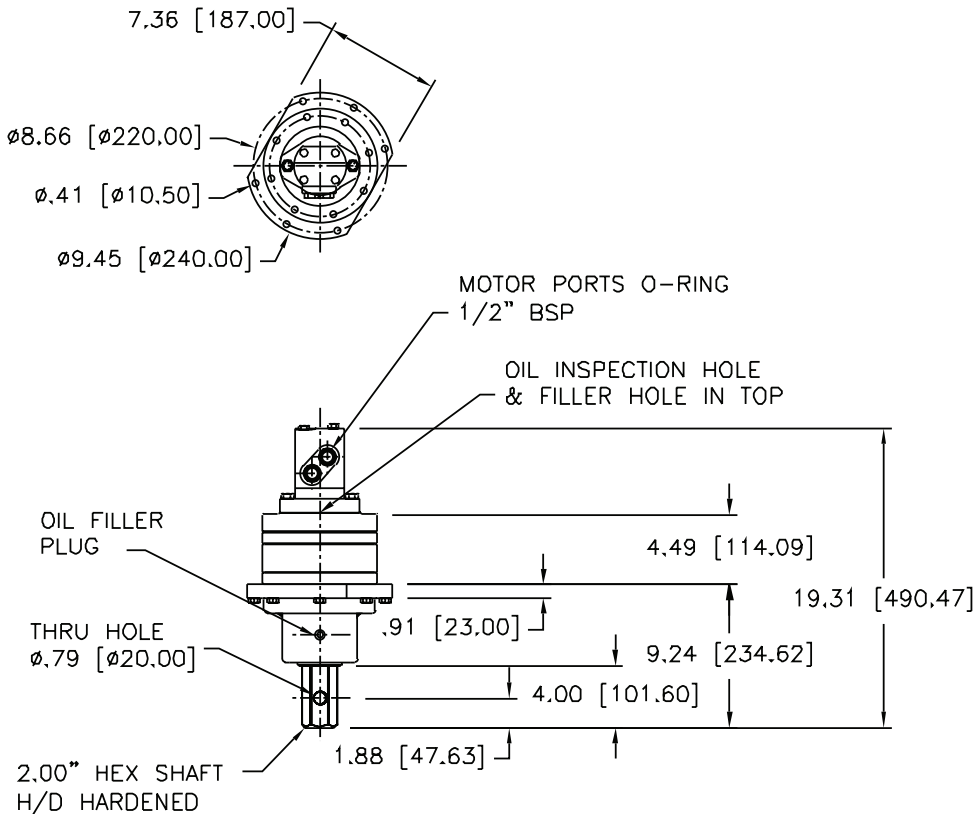


Applications:
 Anchor Installation
 Utility Industry
 Construction Industry

TECHNICAL SPECIFICATIONS

Motor Mount:	SAE "A" 2 BOLT
Motors:	SINGLE SPEED
Rated Output Torque:	8,500 FT-LB (11,500 N-m)
Max System Pressure:	2,750 psi (170 bar)
Max Flow:	20 GPM (75 lpm)
Output Shaft:	2" Hex Shaft (HARDENED)
Shaft Pull-Out Load:	10,000 lb (4,500 kg)
Shaft Pressure Load:	10,000 lb (4,500 kg)
Oil Capacity:	2.6 pts (1.2l)
Weight:	94 lbs (42 kg) with Hydraulic Motor
Gear Ratio:	19.36:1

Output speed and torque specifications are based on theoretical 100% values and are provided for comparative purposes only.



Reference Torque Chart

Pressure (psi)	Torque (ft/lb)
1000	3104
1200	3725
1400	4345
1600	4966
1800	5587
2000	6208
2200	6828
2400	7449
2750	8535

Reference Speed Chart

Flow (gpm)	Speed (rpm)
10	9.87
15	14.81
20	19.75



500 E. Highway 10, Laurens, IA 50554 - 800.599.0211
 email: pengosales@paladinbrands.com www.pengoattachments.com